

# LOMANCO 190 SOFFIT VENT INSTALLATION INSTRUCTIONS

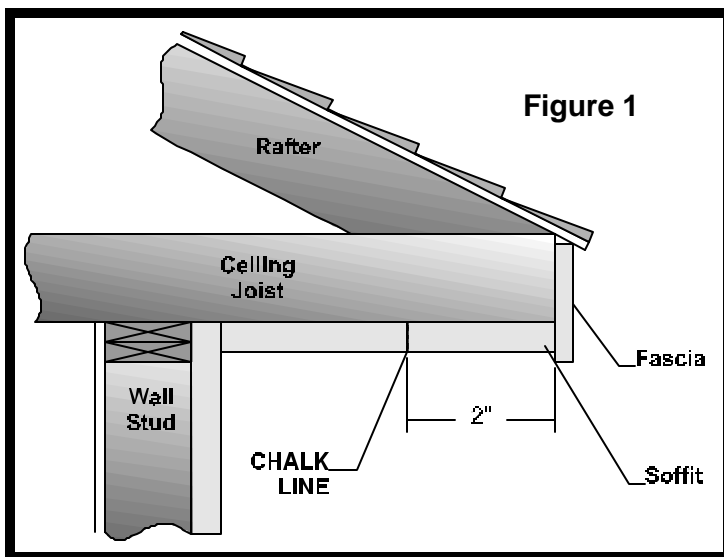
**FOR EXISTING  
CONSTRUCTION!**

Congratulations on your purchase of the Lomanco 190 continuous soffit vent. The 190 is a continuous soffit ventilator which will help rid your attic of damaging heat and moisture when properly installed in conjunction with exhaust vents.

**IMPORTANT!** Read this **ENTIRE** set of instructions carefully, before attempting to install your Lomanco 190 Soffit Vent.

## STEP-1

Measure 2" back from inside of fascia and strike a chalk line. Determine thickness of soffit panel and set saw depth to avoid cutting ceiling joists. See Figure 1



## STEP-2

Cut soffit panel along chalk line for entire length of 190 to be installed. Remove 2" wide section of soffit panel. If necessary loosen remaining soffit panel and fascia so 190 will slip between soffit panel, fascia and ceiling joists.

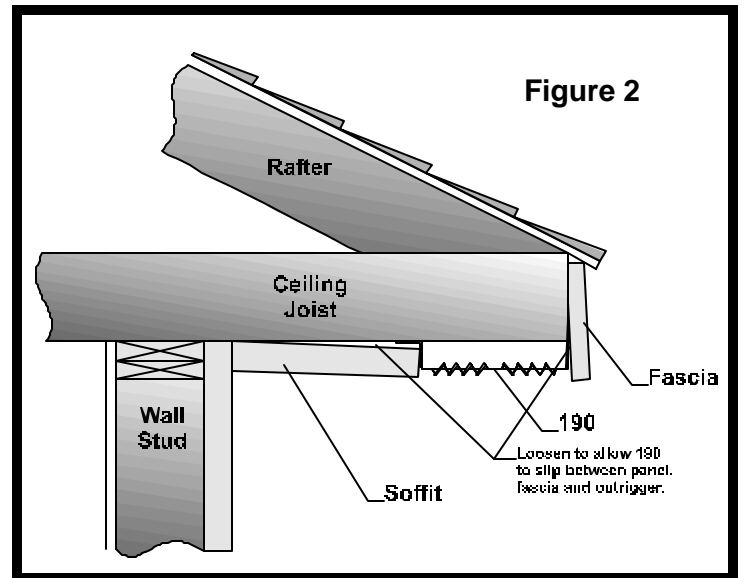
## STEP-3

Slip 190 into position with 90° leg under soffit panel and straight leg under fascia as shown in Figure 2

The 190 comes in 8 foot sections, so on most installations, it will be necessary to use more than one section to complete the job. When this is necessary, simply overlap the vent sections at least 1/4" and continue installation.

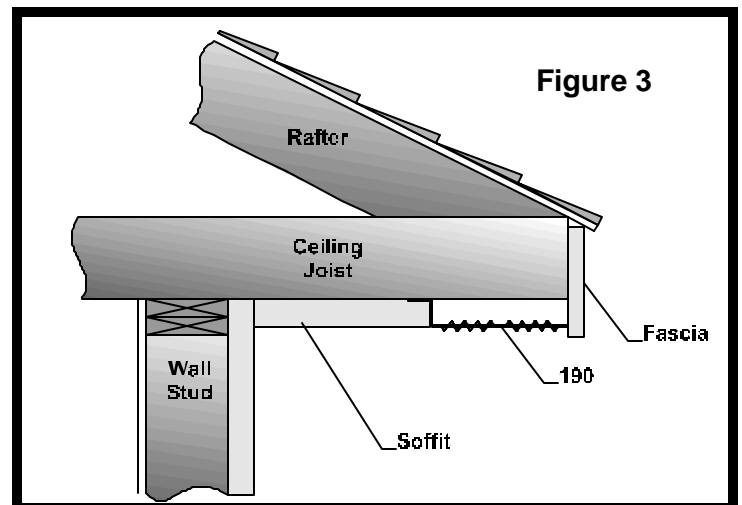
In most cases, it will be necessary to cut a section of vent to install the final section. The cut should be made with tin snips. Measure and cut your final piece

so that the factory edge will butt against the fascia board and the end you have cut will go under the adjoining section by at least 1/4".



## STEP-4

Secure soffit panel and fascia. See Figure 3



***It must be noted that the 190 soffit vent will only ventilate your attic if it has a clear air passage, therefore it will be necessary to ensure that attic insulation as well as any other materials do not block your vents air passage.***