

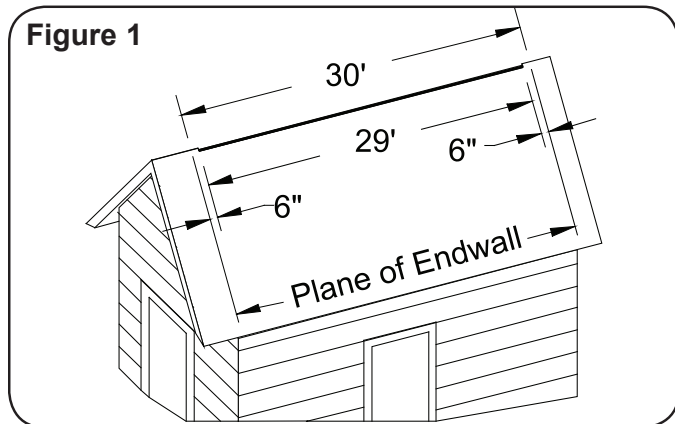
Congratulations on your purchase of the Lomanco VAL-U-RIDGE Vent. The VAL-U-RIDGE is an exhaust vent which will help rid your attic of damaging heat and moisture when properly installed with intake vents. The VAL-U-RIDGE will adjust to fit a 3/12 to an 8/12 pitch roof.

**NOTE: NOT MEANT FOR USE ON MULTI-PITCH ROOFS.**

**IMPORTANT! READ THIS ENTIRE SET OF INSTRUCTIONS CAREFULLY BEFORE ATTEMPTING TO INSTALL LOMANCO VAL-U-RIDGE VENT.**

**STEP-1 Find the correct length of ridge vent you will need.**

The VAL-U-RIDGE Vent comes in 10 foot lengths. Measure along the ridge of your roof to determine the correct length of the installed vent. (Note: Allow 1-1/2" length loss per joint connection). After installation each

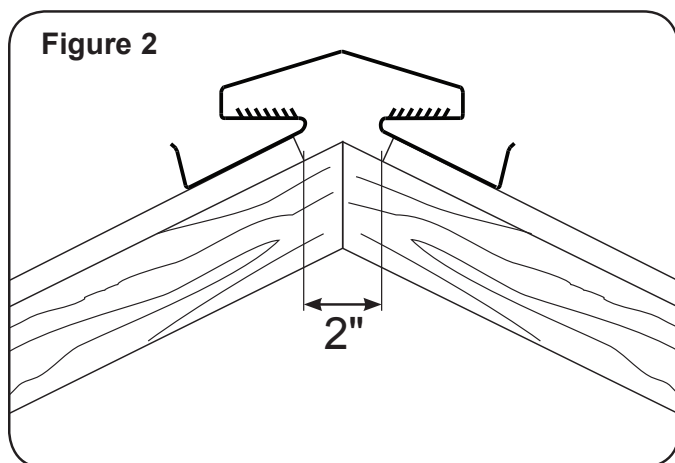


end of the vent should come as close as possible to the end walls of your home without extending past them (See Fig. 1).

When you have determined the overall length of vent to be installed, center the measurement between the ends of the roof and mark these two points.

**STEP-2 Find the length of the hole to be cut in the ridge.**

The hole in your ridge should be cut 6 inches inside the marks made in Step 1. For instance, if you have determined your overall length of VAL-U-RIDGE to be installed is 30' the hole should be no longer than 29' and

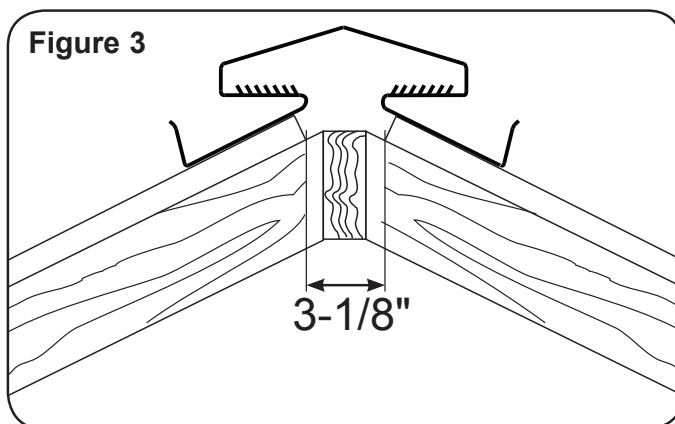


should be centered inside your 30' measurement (See Fig. 1).

**STEP-3 Making the cut.**

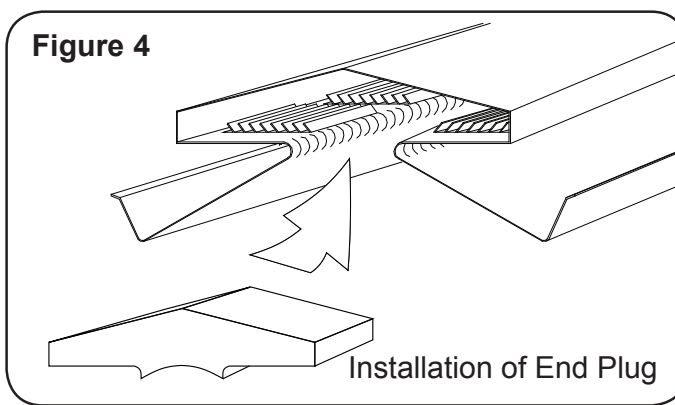
BEFORE YOU ATTEMPT TO CUT THE HOLE, it will be necessary to determine whether your ridge is built with "Truss Construction" or "Ridge Pole Construction". If you don't know, it will be necessary to look into the attic at the ridge to make this determination. If the rafters butt together, it is "Truss Construction" and the cut should be 2" wide (See Fig.2).

If the rafters "sandwich" a ridge pole, it is "Ridge Pole Construction" and the cut should be 3-1/8" wide (See Fig. 3). After determining the type of construction, mark the appropriate cut line. Be sure to begin and end the cut 6



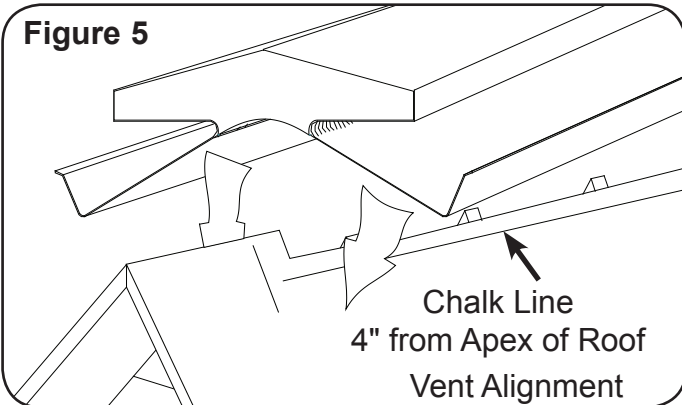
inches inside the overall length of the vent as measured in Step 1 and Step 2. The hole is best cut with a circular saw taking care to set the depth of the blade to avoid cutting the rafters or ridge pole.

NOTICE: The VAL-U-RIDGE Vent is notched on the



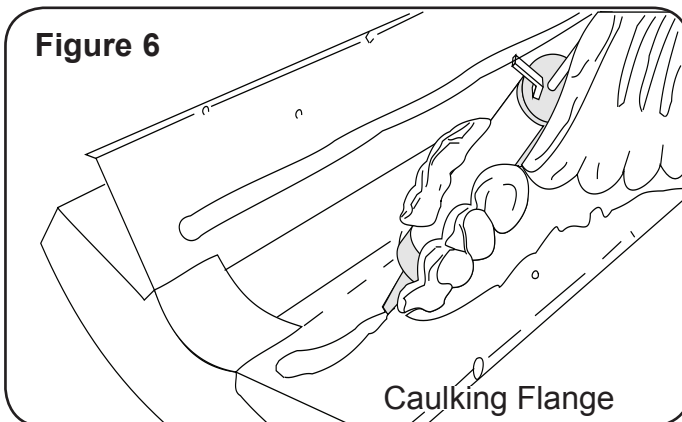


male end and blank on the female end for a male-female assembly. End plugs are made to fit either end. Install the end plug on the female end before the vent is nailed down as shown in Fig. 4. Push the louvers upward to form a tight fit.

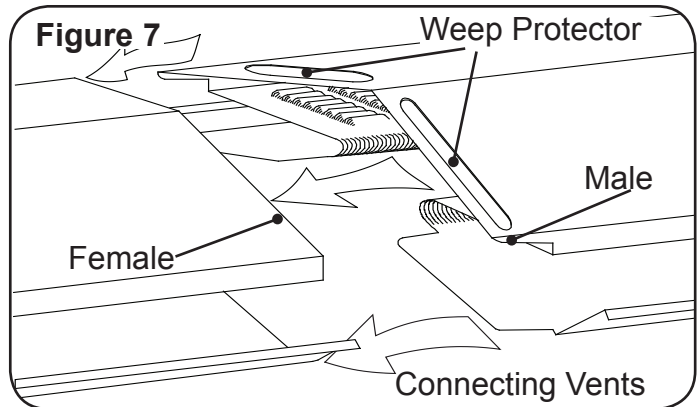


**STEP-4 Alignment**

It is important to align the VAL-U-RIDGE Vent correctly. Regardless of the pitch of your roof, the outer edge of the vent should be approximately 4 inches from the apex of the roof (See Fig. 5).



# Val-U-Ridge Vent Installation Instructions



Once you determine your alignment, mark your alignment line with a chalk line and you're ready for installation.

**STEP-5 Final Installation**

Apply caulk to the bottom flange of the vent sections close to where the roof hole will be after the vent is installed (See Fig. 6).

Align end of first section (with end plug installed) on the end marks and the bottom of the nailing flange on the chalk line. Then nail the section down using locally approved roofing nails, making sure to keep the bottom of the section aligned with the chalk line. As you proceed down the roof, "CAULK" the male connection and connect the male-female ends as shown in Fig. 7. Install the last end plug on the last vent section before nailing it down. Finish by sealing all seams and nails with roofing cement.

## THREE MUST DO Steps to attic ventilation

**Install all Exhaust Ventilation at the SAME HEIGHT within a common attic area.**

**1** Installation of exhaust vents at more than one level on a roof allows the upper exhaust vent to pull air in from lower exhaust vents rather than from the intake vents. Intake air must come from intake vents located near the lower part of the attic space to properly ventilate the total attic area and eliminate weather infiltration.

**Install ONLY ONE TYPE of Exhaust Ventilation within a common attic area.**

**2** Exhaust Vents pull air from the easiest intake source. Vent types cannot be mixed. The use of different types of exhaust vents could make one of the vents act as intake for the other. Intake air must come from intake vents located near the lower part of the attic space to properly ventilate the total attic area and eliminate weather infiltration.

**Install a BALANCED SYSTEM of Intake and Exhaust Ventilation.**

**3** **50% Intake Ventilation** - Intake vents located near the lower part of the attic area are required to balance out your ventilation system.

**50% Exhaust Ventilation** - Use a Lomanco Ventilation Selector guide, the calculators at [lomanco.com](http://lomanco.com), or the Lomanco Vent Selector App to determine the number of vents needed to properly ventilate an attic to meet the minimum code ventilation standard.

