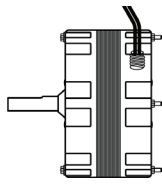
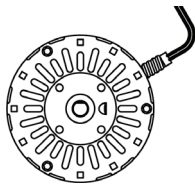
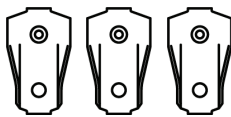




Replacement Motor
MODEL F0510B2944



Supplied Universal Kit



(3) Bridges



(3) Nylon Locking Nuts

Replacement motor model F0510B2944, with supplied universal kit, will replace previous motor models:

A0416B2059
A0510B2389
F0510B2497

USE ONLY WITH LOMANCO 2000 OR 1800 ADDAVENT POWER VENTILATORS.

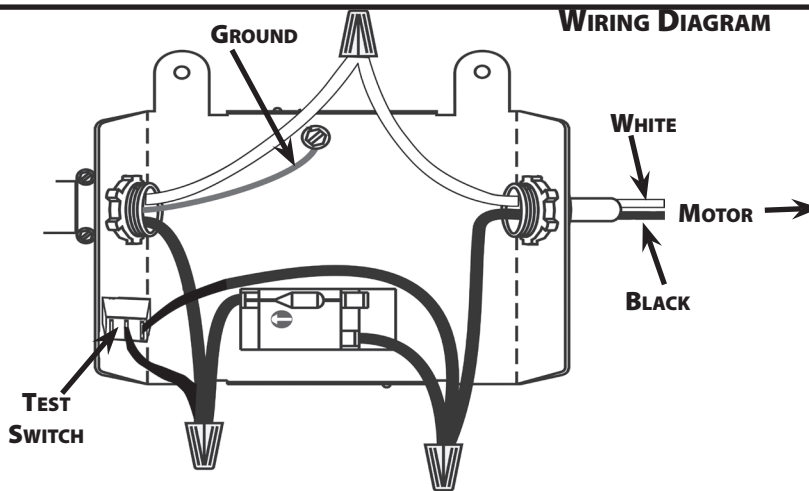
! WARNING

DO NOT RUN THE MOTOR WITHOUT THE FAN BLADE. THIS IS AN AIR-COOLED MOTOR, SO PERMANENT DAMAGE WILL OCCUR IF OPERATED WITHOUT A FAN BLADE INSTALLED ON THE MOTOR.

TIPS FOR REMOVING FAN BLADE

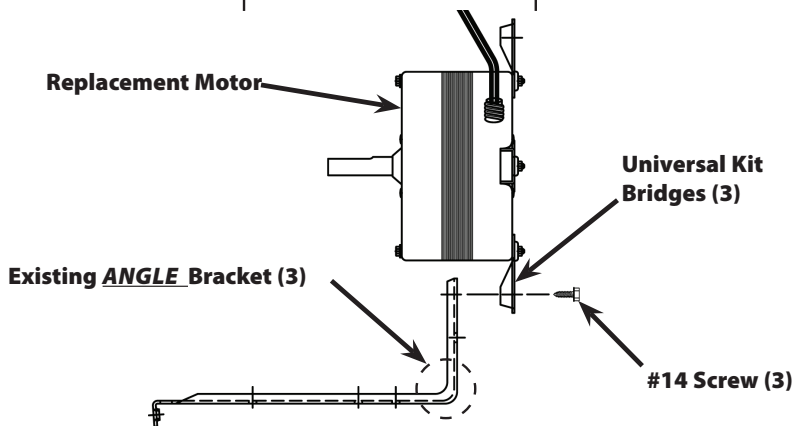
1. LUBRICATE SHAFT, HUB AND SET SCREW.
2. LOOSEN SET SCREW 3-4 TURNS.
3. GENTLY TAP FAN HUB UNTIL FAN MOVES TOWARD MOTOR.
4. REMOVE ALL RUST, BURRS, ETC. FROM EXPOSED SHAFT END.
5. FAN CAN NOW SLIDE OFF SHAFT.
6. DO NOT USE BENT BLADE ON NEW MOTOR.

Motor Replacement Guide



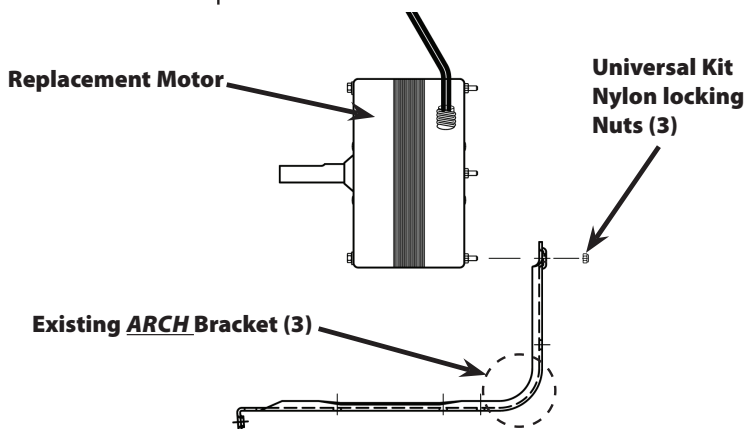
REPLACEMENT GUIDE FOR PREVIOUS MOTOR MODELS WITH EXISTING ANGLED BRACKET.

MODEL A0416B2059 | MODEL F0510B2497 | MODEL A0510B2389



REPLACEMENT GUIDE FOR PREVIOUS MOTOR MODELS WITH EXISTING ARCHED BRACKET.

MODEL F0510B2497 | MODEL A0510B2389



21000_0416